

#### **Integrated Fold-down Support Arms**

Robust and secure support arms designed and manufactured specifically for the Clos-o-Mat Palma Vita. This convenient support system not only folds out of the way to aid side transfer from a wheelchair, it also has a number of additions that can further aid the users stability. A lap strap is also available.



#### **Lateral Body Supports**

These easily adjustable and comfortable additions help to provide extra support and stability to the user, in conjunction with the Integrated Fold-down Support Arms.



#### **Soft Seats**

Options available are Junior, Adult and Adult Open Fronted. All soft seats are supplied in a dark blue colour to aid the visually impaired.



#### **Touch Sensitive Hand/Foot Switch**

This device is for those users who are unable to use the standard elbow pads. 'Air operated', no electricity is required to operate it, only very light pressure.



#### **Shaped Plinth**

Manufactured in shaped white plastic to match the Palma Vita contours, plinths are used to raise the whole unit. For use with a shower chair or aid direct wheelchair transfer. Plinths come in heights of 25, 50, 75 and 100mm.



#### **Extended Douche Arm**

Alternative douche arms available, please call for details.

## Clos-O-Mat

Palma Vita automatic WC/shower toilet provides flushing, washing and warm air drying from one simple operation.

It is particularly designed for people who have restricted use of their hands.

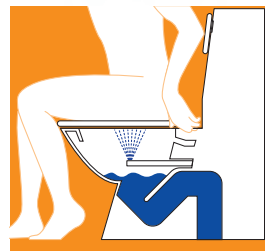


By reducing hand contact, it also provides improved hygiene for all users.

Restores privacy, independence and dignity in personal hygiene for those who are disabled, infirm or who are unable to cleanse themselves manually.

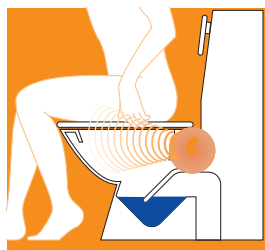
**PROCare stock and display Clos-o-Mat**

**WRAS**  
PRODUCT



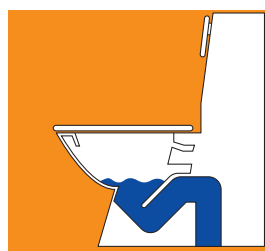
#### **Washing**

Press elbow pad whilst seated and hold in for approximately 10-15 seconds, flushing and warm water washing then take place simultaneously.



#### **Drying**

Warm air drying automatically follows when elbow pad is released.



#### **Flushing**

Press either elbow pad whilst standing for conventional flush.

- Simultaneous flushing and washing (a unique feature) reduces infection risks.
- Combines the functions of a WC and bidet in a unit no larger than a conventional WC, thus saving floor space and service cost.
- Clos-o-Mat relieves nursing staff and other carers from the disagreeable and unhygienic task of manual cleaning.
- Easy to operate: all functions initiated by one operation.
- Can be used at all times as a conventional flush WC. The washing/drying action operates only when seated.
- Improves personal hygiene – cleaning with water not dry paper

## Palma Vita - Technical Data

### Electrical Services

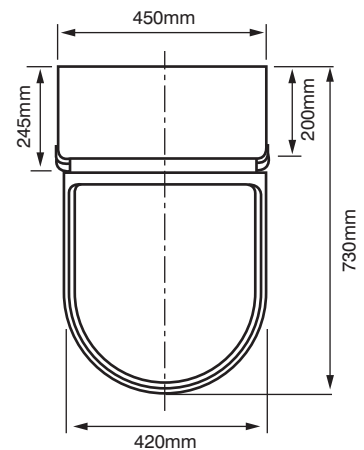
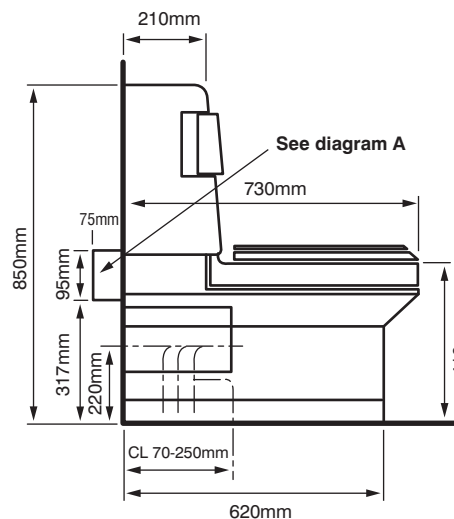
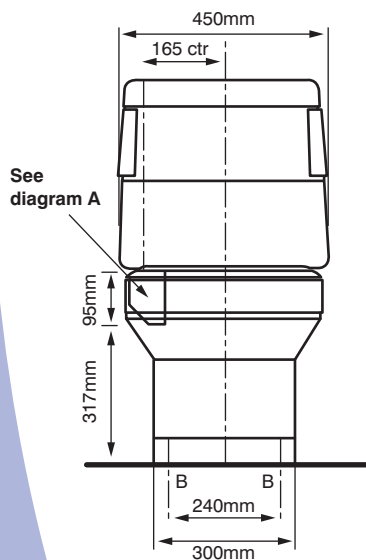
- Electrical installation should be in accordance with I.E.E. Regulations (Current Edition).
- 220v/240v single phase AC supply is required (fuse loading 6 to 8 amp, maximum power 1500 watts). The Clos-o-Mat is supplied with a 3 core cable attached. A fused spur is required.
- The spur outlet is normally located adjacent to the unit preferably R.H.S. facing.

### Bathroom/Shower Room Installations

- Particular attention should be paid to I.E.E. Regulations when the unit is to be fitted in a bathroom or shower area. We recommend isolation external to the room.
- I.E.E. Regulations require a Residual Current Device to be fitted to the circuit to ensure that disconnection occurs within 0.4 seconds in the event of earth fault.
- The Clos-o-Mat must not be in direct line with the shower spray. Some form of partition between shower and Clos-o-Mat is advisable to prevent any water spraying directly onto the equipment.
- A shower should not be used in conjunction with the Clos-o-Mat, i.e. under no circumstances must a user shower whilst seated on the Clos-o-Mat.

### Overflow

- The Clos-o-Mat has an internal overflow which discharges into the WC pan through the flush valve.



### Water Services

- Cold water service only; water supply can be from level storage or mains.
- The Clos-o-Mat is supplied with 15mm copper spigot and isolating valve on cold water supply.

**No external hot water supply is required**

#### Soil connection

- Outlets are suitable for 'P' trap through the wall (220mm floor to centre) or 'S' trap through the floor (70mm - 250mm finished wall to centre)
- Suitable for left hand and right hand turned trap applications.

### Further Notes

- No permanent hand rails or other obstructions should be fitted across the front or top of the unit. The white outer casing has to be pulled upwards and forward to remove for servicing purposes.
- If extended douche option is specified, space must be made to accommodate douche arm which extends beyond rear of casing.
- Optional infill panel available to avoid need to chase wall. Unit can be fitted away from rear wall if required.

### Extended Douche Option Recess

